

SMD QUARTZ CRYSTAL

SERIES SMD01612 (4pad housing 1.6x1.2mm)

FEATURES

- + High reliability for low cost
- + LRT-TECHNOLOGY Inside (LRT is Low ESR Resonator-Technology⁽¹⁾)
- + Our top quality promise / depth of production:
 - Only use of crystal blanks from our in-house production
 - Excellent product features guaranteed by multiple 100% tests
 - 100% quality monitoring from crystal raw material to the end product



PB FREE / ROHS COMPLIANT

GENERAL DATA

PARAMETERS	PRODUCT FEATURES AND CONDITIONS
SMD-CRYSTAL SERIES	SMD01612/4
NUMBER OF SOLDER PINS	4
FREQUENCY RANGE	24.0 ~ 285.0 MHz Fundamental
FREQUENCY TOLERANCES AT 25°C	±10 ppm ~ ±50 ppm
LOAD CAPACITANCE (C _L)	Series or 6 ~ 50 pF
WORKING TEMPERATURE RANGES	-10/+60°C ~ -40/+125°C
TEMPERATURE STABILITY	±10 ppm ~ ±100 ppm (see FREQUENCY STABILITY VS. TEMPERATURE table)
SHUNT CAPACITANCE (C ₀)	1 pF max.
DRIVE LEVEL	100 µW typ. / 200 µW max.
AGING	±1 ppm ~ ±3 ppm max. per year
INSULATION RESISTANCE	>500 MΩ DC/100V ±10%
STORAGE TEMPERATURE	-55°+125°C
PRODUCT WEIGHT	0.003 g
MSL LEVEL	1
DELIVERY FORM	Tape and Reel (3.000 pcs reel)
SELECT YOUR REQUIRED CRYSTAL (PRODUCT CONFIGURATOR)	REQUEST CRYSTAL SAMPLES (SAMPLE CONFIGURATOR)

Note:

1. LRT is optimized low ESR resonator design for fast and secure oscillation start-up
2. The reference temperature for all specified values and tests is +25°C.
3. Do not use cleaning baths operating at ultrasonic frequencies or ultrasonic welding processes.

FREQUENCY STABILITY VS. TEMPERATURE

	±10ppm	±15ppm	±20ppm	±30ppm	±50ppm	±100ppm
-10°/+60°C	+	+	+	+	+	+
-20°/+70°C	+	+	+	+	+	+
-40°/+85°C		+	+	+	+	+
-40°/+105°C				+	+	+
-40°/+125°C						+

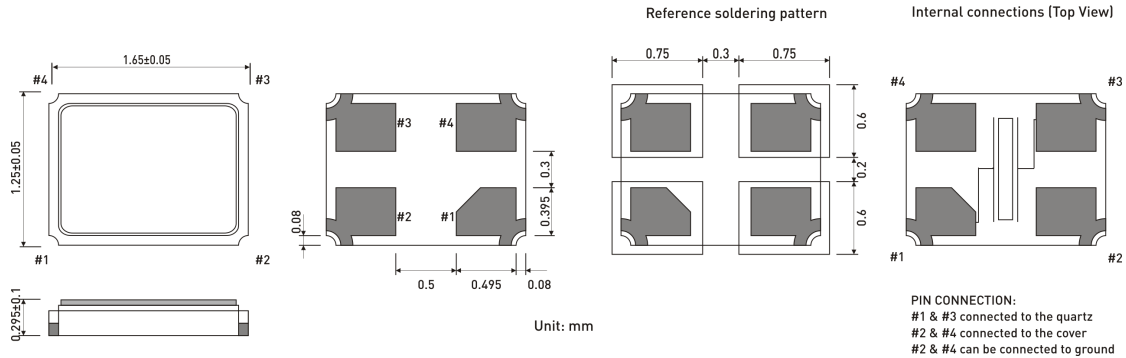
RESONANCE RESISTANCE

FREQUENCY IN MHz	VIBRATION MODE	ESR MAX. IN Ω
24.0 ~ 32.0 MHz	Fundamental	200
32.0 ~ 38.0 MHz	Fundamental	100
38.0 ~ 80.0 MHz	Fundamental	80
80.0 ~ 285.0 MHz	Fundamental	60

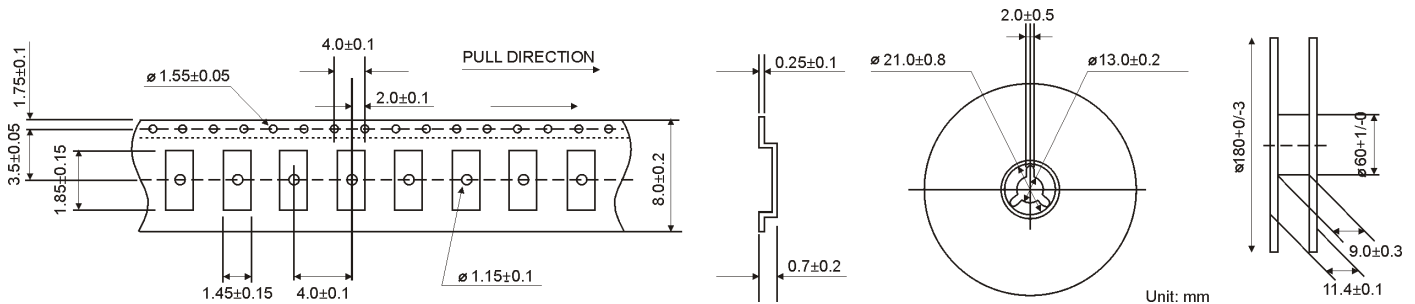
LIST OF STANDARD FREQUENCIES

24.0 MHz	25.0 MHz	26.0 MHz	30.0 MHz
32.0 MHz	37.4 MHz	38.4 MHz	40.0 MHz
48.0 MHz	50.0 MHz		

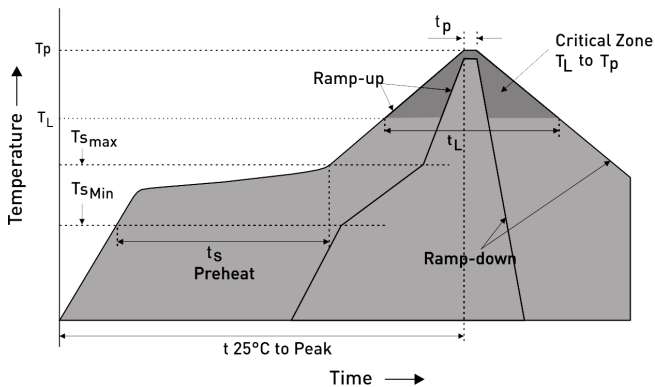
DIMENSIONS



REEL SPECIFICATION

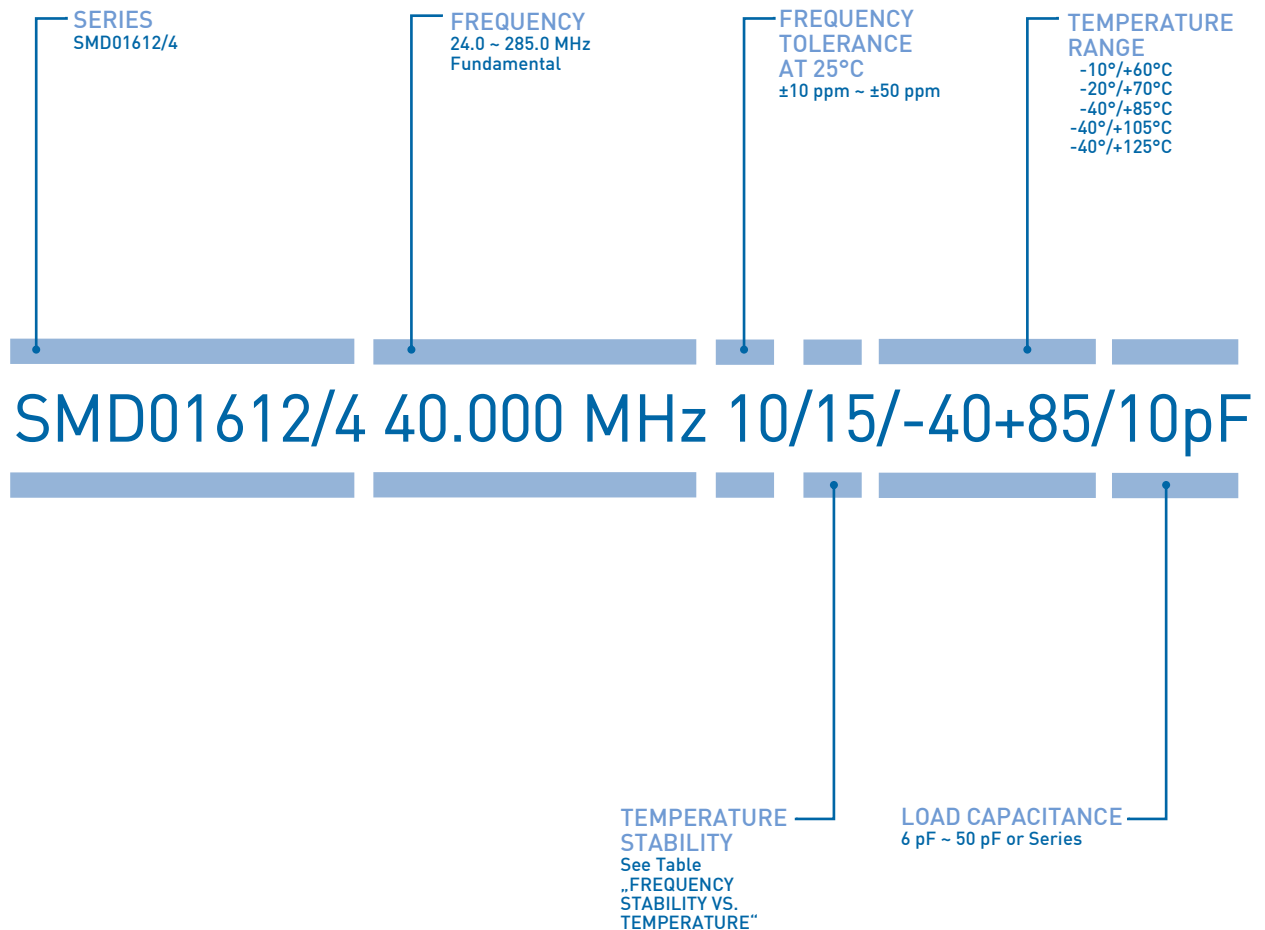


REFLOW SOLDER PROFILE



IPC/JEDEC Standard	IPC/JEDEC J-STD-020
Moisture Sensitivity Level	Level 1
TS MAX to TL (Ramp-up Rate)	3°C/second Maximum
Preheat	
- Temperature Minimum (TS MIN)	150°C
- Temperature Typical (TS TYP)	175°C
- Temperature Maximum (TS MAX)	200°C
- Time (tS)	60 - 180 seconds
Ramp-up Rate (TL to TP)	3°C/second Maximum
Time Maintained Above:	
- Temperature (TL)	217°C
- Time (TL)	60 - 150 seconds
Peak Temperature (TP)	265°C Maximum
Target Peak Temperature (TP Target)	255°C
Time within 5°C of actual peak (tP)	20 - 40 seconds
Max. Number of Reflow Cycles	2
Ramp-down Rate	6°C/second Maximum
Time 25°C to Peak Temperature (t)	8 minutes Maximum

ORDERING INFORMATION



EXAMPLE: SMD01612/4 40.000 MHz 10/15/-40+85/10pF

PLEASE INDICATE YOUR REQUIRED PARAMETERS

REVISION HISTORY

VERSION	RELEASE DATE	AMENDMENTS SUMMARY
00	APRIL 2015	+ Initial Data Sheet (SPEC 01/REV.00)
01	AUGUST 2023	+ Revised Frequency Range + Revised Load Capacitance + Revised Working Temperature ranges + Revised Drive Level + Revised Aging + Revised ESR + Revised Storage Temperature + Revised Frequency stability vs. Temperature + Added Standard Frequencies



PREMIUM QUALITY BY PETERMANN-TECHNIK



OUR COMPANY IS CERTIFIED ACCORDING TO ISO 9001:2015 AND 14001:2015

THIS IS FOR YOU TO ENSURE THAT THE PRINCIPLES OF QUALITY MANAGEMENT ARE FULLY IMPLEMENTED IN OUR QM-SYSTEM AND QUALITY CONTROL METHODS .